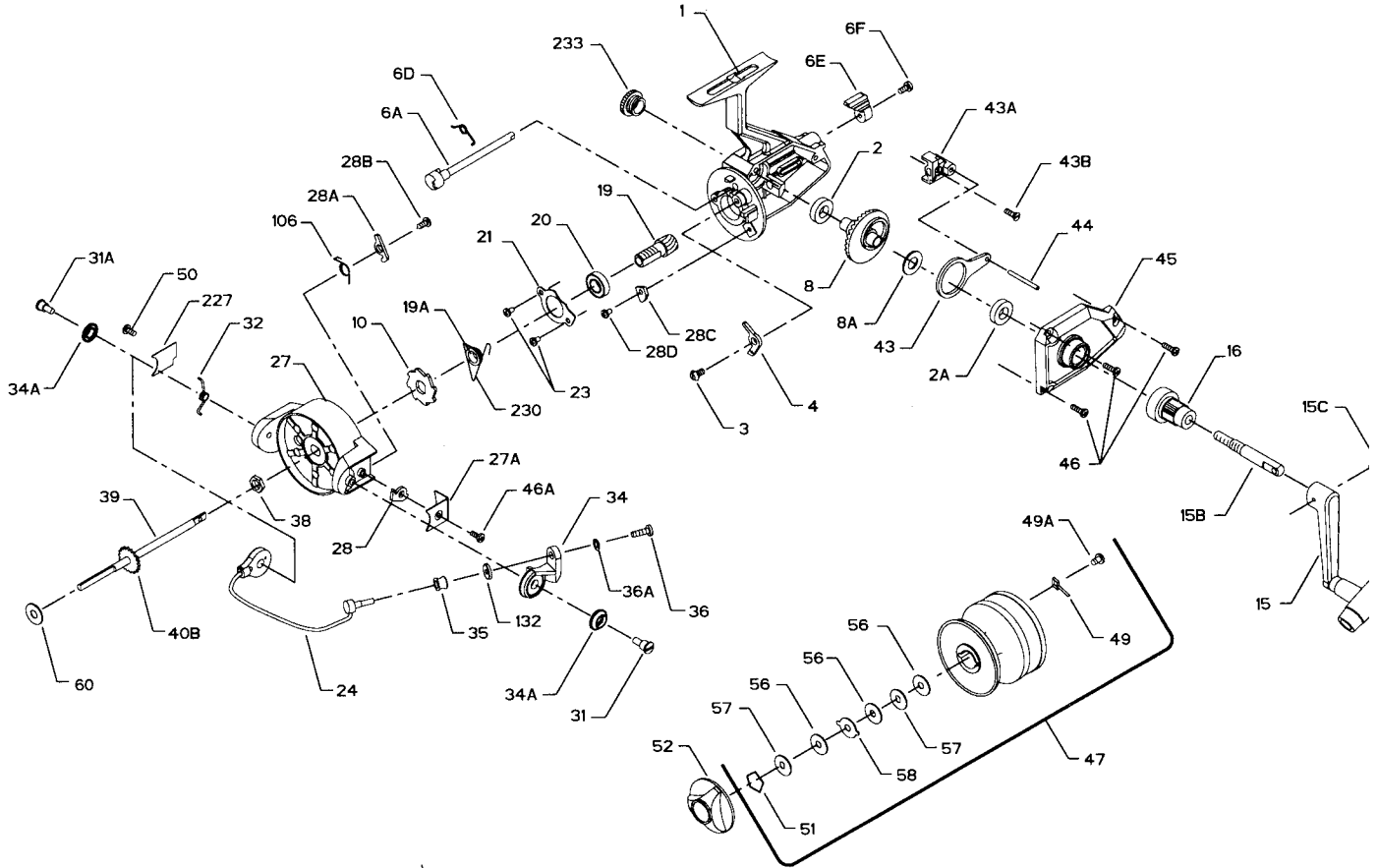




PARTS AND PRICE LIST FOR MODEL 104



Key No.	Part No.	Description	Price	Key No.	Part No.	Description	Price
1	1-104	Housing w/Bushing & Emblem	\$13.30	32	32-104	Bail Spring	.80
2	2-103	Housing Bushing	.90	34	34-104	Bail Arm	1.70
2A	2A-103	Cover Bushing	.90	34A	34A-105	Bail Arm Spacer	.60
3	3-104	Dog Mounting Screw	.50	35	35-104	Line Roller	2.35
4	4-104	Dog w/Finger Spring	1.90	36	36-104	Bail Stud Screw	.40
6A	6A-104	Eccentric	2.15	36A	36A-105	Lock Washer	.40
6D	6D-104	Eccentric Spring	.45	38	38-104	Rotor Nut	.45
6E	6E-103	Eccentric Lever	.60	39	39-104	Crosswind Shaft	5.00
6F	6F-101	Eccentric Lever Mounting Screw	.40	40B	40B-104	Click Ratchet	.50
8	8-104	Main Gear Assembly	5.65	43	43-104	Crosswind Arm	1.40
8A	8A-104	Main Gear Shim	.40	43A	43A-104	Crosswind Block	1.75
10	10-104	Anti-Reverse Ratchet	.80	43B	43B-105	Crosswind Arm Screw	.40
15	15-104	Handle (Complete)	6.60	44	44-104	Crosswind Arm Pin	.80
15B	15B-104	Handle Shaft	2.00	45	45-104	Housing Cover w/Bushing	6.75
15C	15C-103	Handle Pivot Pin	.40	46	46-103	Housing Cover Screw (2 req.)	.40
16	16-103	Handle Collar	1.10	46A	31-101	Rotor End Cover Screw	.50
19	19-104	Pinion Gear	4.80	47	47-104	Spool (Complete)	18.70
19A	19A-104	Pinion Gear Spacer	1.05	49	49-103	Click Spring	.90
20	20-104	Ball Bearing	9.80	49A	3-101	Click Spring Screw	.40
21	21-104	Bearing Cover	.80	50	50-104	Bail Spring Cover Screw	.40
23	23-104	Bearing Cover Screw (2 req.)	.45	51	51-104	Retaining Ring	.40
24	24-104	Bail Wire	7.10	52	52-104	Drag Knob	3.10
27	27-104	Rotor Cup	9.35	56	56T-104	Drag Washer (Teflon®) (3 req.)	.50
27A	27A-104	Rotor End Cover	.50	57	57-104	Drag Washer (Keyed) (2 req.)	.50
28	28-104	Trip Lever	.90	58	58-104	Drag Washer (Ear)	.50
28A	28A-104	Cam Lever	.90	60	60-103	Thrust Washer (Teflon®)	.45
28B	28B-104	Cam Lever Mounting Screw	.40	106	106-104	Cam Lever Spring	.50
28C	28C-104	Trip Cam	.80	132	132-104	Roller Washer	.80
28D	46A-103	Cam Mounting Screw	.40	227	227-104	Bail Spring Cover	.60
31	31-103	Bail Arm Screw	.80	230	230-103C	Silent Dog Spring	.45
31A	31-103	Bail Wire Mounting Screw	.80	233	233-104	Housing Handle Cap	.90